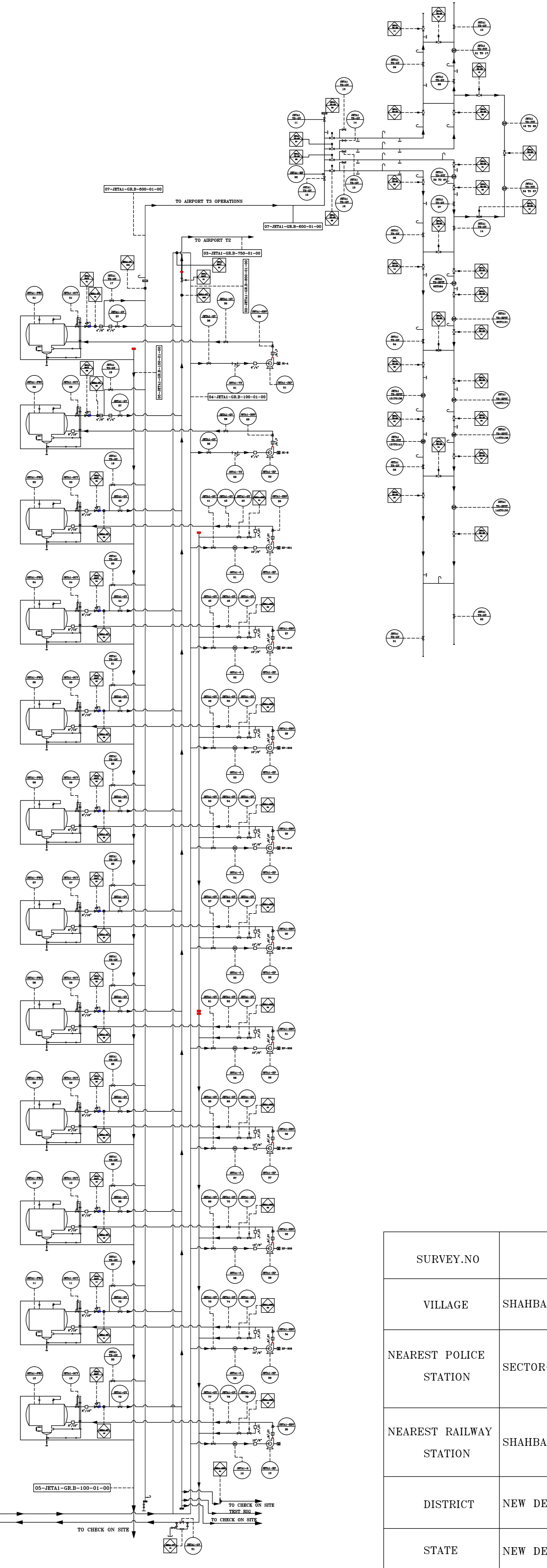
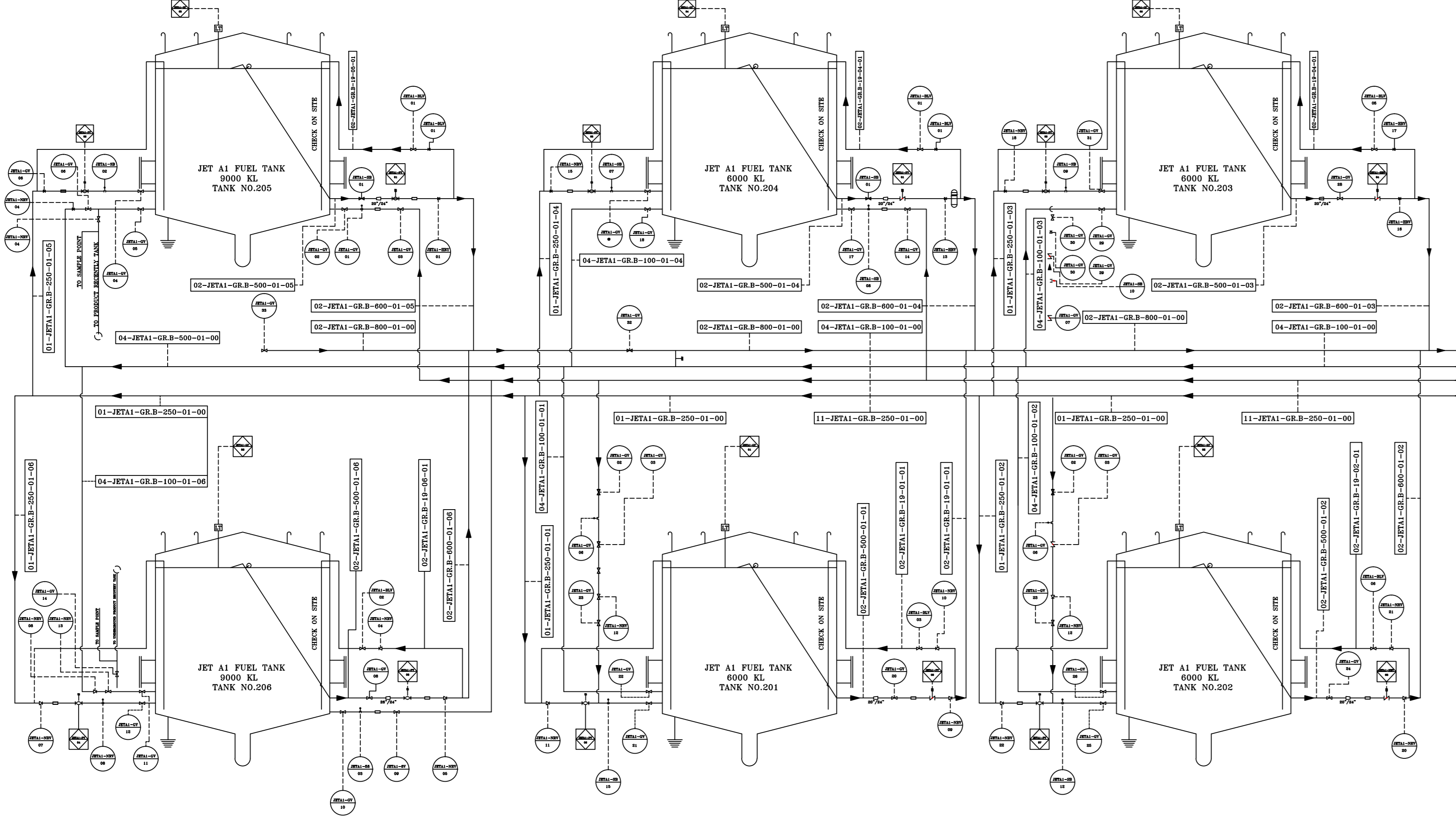


LEGEND:-

S.NO.	SYMBOLS	DESCRIPTION
1	[Symbol]	GATE VALVE
2	[Symbol]	MOTOR OPERATED GATE VALVE
3	[Symbol]	MOTOR OPERATED BUTTERFLY VALVE
4	[Symbol]	BUTTERFLY VALVE
5	[Symbol]	SLOW ACTING CONTROL VALVE
6	[Symbol]	SLUG CONTROL VALVE
7	[Symbol]	PRESSURE BYPASS VALVE
8	[Symbol]	EXPANDER/REDUCER
9	[Symbol]	CENTRIFUGAL PUMP
10	[Symbol]	NON RETURN VALVE
11	[Symbol]	MOTOR OPERATE PLUG VALVE
12	[Symbol]	SHOCK ALLEVIATOR VESSEL
13	[Symbol]	PRESSURE RELIEF VALVE
14	[Symbol]	EXPANSION BELLOW
15	[Symbol]	FILTER WATER SEPARATOR
16	[Symbol]	FLANGE
17	[Symbol]	LEVEL TRANSMITTER
18	[Symbol]	PRESSURE TRANSMITTER
19	[Symbol]	FLOW TRANSMITTER
20	[Symbol]	STONE GAURD
21	[Symbol]	"Y" TYPE STRAINER
22	[Symbol]	TEMPORARY FILTER
23	[Symbol]	SCADA/PLC
24	[Symbol]	BALL VALVE
25	[Symbol]	DRAIN UNIT
26	[Symbol]	VENT UNIT
27	[Symbol]	SPECTACLE BLIND NORMALLY OPEN
28	[Symbol]	UNDER HYDRANT VALVE
29	[Symbol]	HYDRANT VALVE
30	[Symbol]	HYDRANT PIT

[Symbol]	FOR TANK RECEIPT PIPE
[Symbol]	FOR T2 DISCHARGE HEADER
[Symbol]	FOR T3 DISCHARGE HEADER
[Symbol]	FOR T3 DISCHARGE PIPE FROM FILTER
[Symbol]	FOR PRODUCT RECOVERY TANK
[Symbol]	TANK RECEIPT FROM TRUNK
[Symbol]	FOR T2 SUCTION PIPE



INSTRUMENT INTERLOCK ABBREVIATIONS:-

JETA1-GV	= FUEL TYPE - GATE VALVE
JETA1-SACV	= FUEL TYPE - SLOW ACTING CONTROL VALVE
JETA1-GV(M)	= FUEL TYPE - MOTOR OPERATED VALVE
JETA1-MBV	= FUEL TYPE - MOTOR OPERATED BUTTERFLY VALVE
JETA1-BV	= FUEL TYPE - BUTTERFLY VALVE
JETA1-PV	= FUEL TYPE - PLUG VALVE
JETA1-NRV	= FUEL TYPE - NON RETURN VALVE
JETA1-FWS	= FUEL TYPE - FILTER WATER SEPARATOR
JETA1-SCV	= FUEL TYPE - SLUG CONTROL VALVE
JETA1-PBV	= FUEL TYPE - PRESSURE BYPASS VALVE
JETA1-PRV	= FUEL TYPE - PRESSURE RELIEF VALVE
JETA1-HP	= FUEL TYPE - HYDRANT PUMP
JETA1-JK	= FUEL TYPE - JOCKEY PUMP
JETA1-PT	= FUEL TYPE - PRESSURE TRANSMITTER

INSTRUMENT INTERLOCK ABBREVIATIONS:-

JETA1-FT	= FUEL TYPE - FLOW TRANSMITTER
JETA1-SG	= FUEL TYPE - STRAINER
JETA1-YS	= FUEL TYPE - Y TYPE STRAINER
JETA1-BLV	= FUEL TYPE - BALL VALVE
JETA1-SB	= FUEL TYPE - SPECTICAL BLIND
JETA1-LT	= FUEL TYPE - LEVEL TRANSMITTER
JETA1-LHV	= FUEL TYPE - UNDER HYDRANT VALVE
JETA1-HV	= FUEL TYPE - HYDRANT VALVE
JETA1-H PIT	= FUEL TYPE - HYDRANT PIT

PIPE DESCRIPTION:-

01 -	TANK RECEIPT FROM BUWASAN
02 -	T2 PUMP SUCTION HEADER
03 -	T2 PUMP DISCHARGE HEADER
04 -	PUMP MIMIMUM FLOW RETURN LINE
05 -	PIPES TO UNDERGROUND PRODUCT RECOVERY TANK
07 -	T3 PUMP DISCHARGE HEADER
11 -	TANK RECEIPT FROM TRUCK
12 -	T3 RISER PIPE

SURVEY.NO		DELHI AVIATION FUEL FACILITY (P) LTD.	
VILLAGE	SHAHBAD MOHMADPUR	SUBJECT	
NEAREST POLICE STATION	SECTOR-23 DWARKA	P&ID FOR AVIATION FUELLING STAION	
NEAREST RAILWAY STATION	SHAHBAD MOHMADPUR	TITLE	
DISTRICT	NEW DELHI	AVIATION FUEL HYDRANT SYSTEM FUEL FARM T2 AND T3 OPERATION-P&ID	
STATE	NEW DELHI	REV.	INTIAL RELEASE
NAME OF ROAD	SHAHBAD MOHMADPUR	07.06.2013	APPO:
		1:500	DRAWING NO: DAFPPL-AFHS-GA-003
			SHEET NO: 1 OF 1